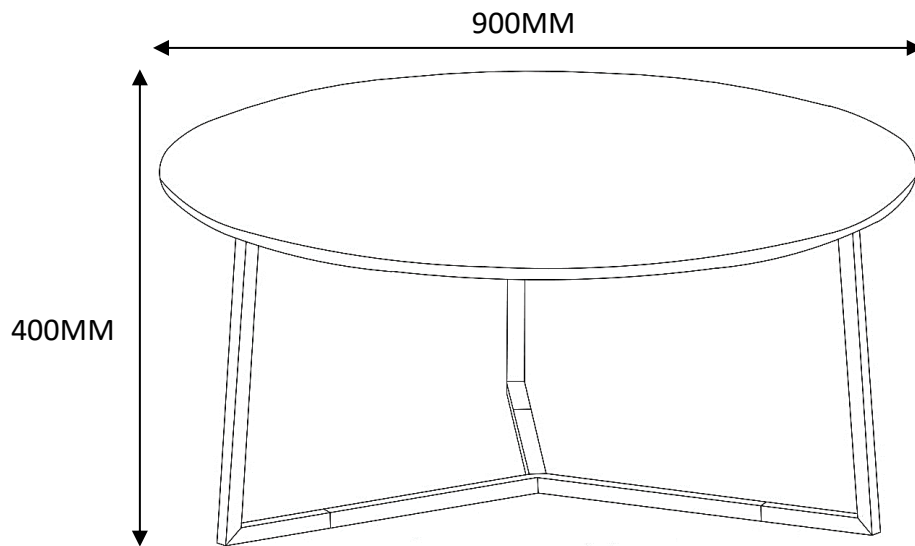


ASSEMBLY INSTRUCTION

DARLINGTON

Coffee Table

ITEM CODE: 68950

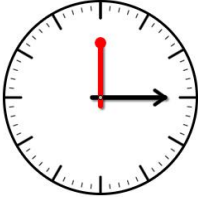
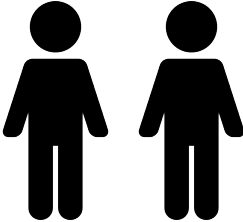



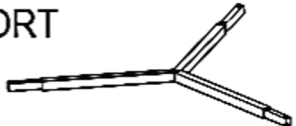

Imported by JWA Furniture Pty Ltd, Qld, Brisbane Australia.
For any assistance with assembly or for missing parts please refer to your receipt







PRE-ASSEMBLY PREPARATION

Before you start:

1. Choose a clean, level, spacious assembly area. Avoid hard surfaces that may damage the product
2. Take care when lifting. Product should be assembled as near as possible to the point of use
3. Ensure that you have all required contents for complete assembly
4. Always read the assembly instructions carefully before beginning assembly.
5. Keep all hardware parts and packaging out of reach of small children.
6. Do not over tighten the screws and bolts as this may damage the threads
7. Assembly is to be carried out by a competent adult(s) ONLY
8. During assembly, children should be kept away from the product due to possible risk to injury.
9. Do not use this item if any components are missing or damaged.
10. Please keep the instructions for future reference.

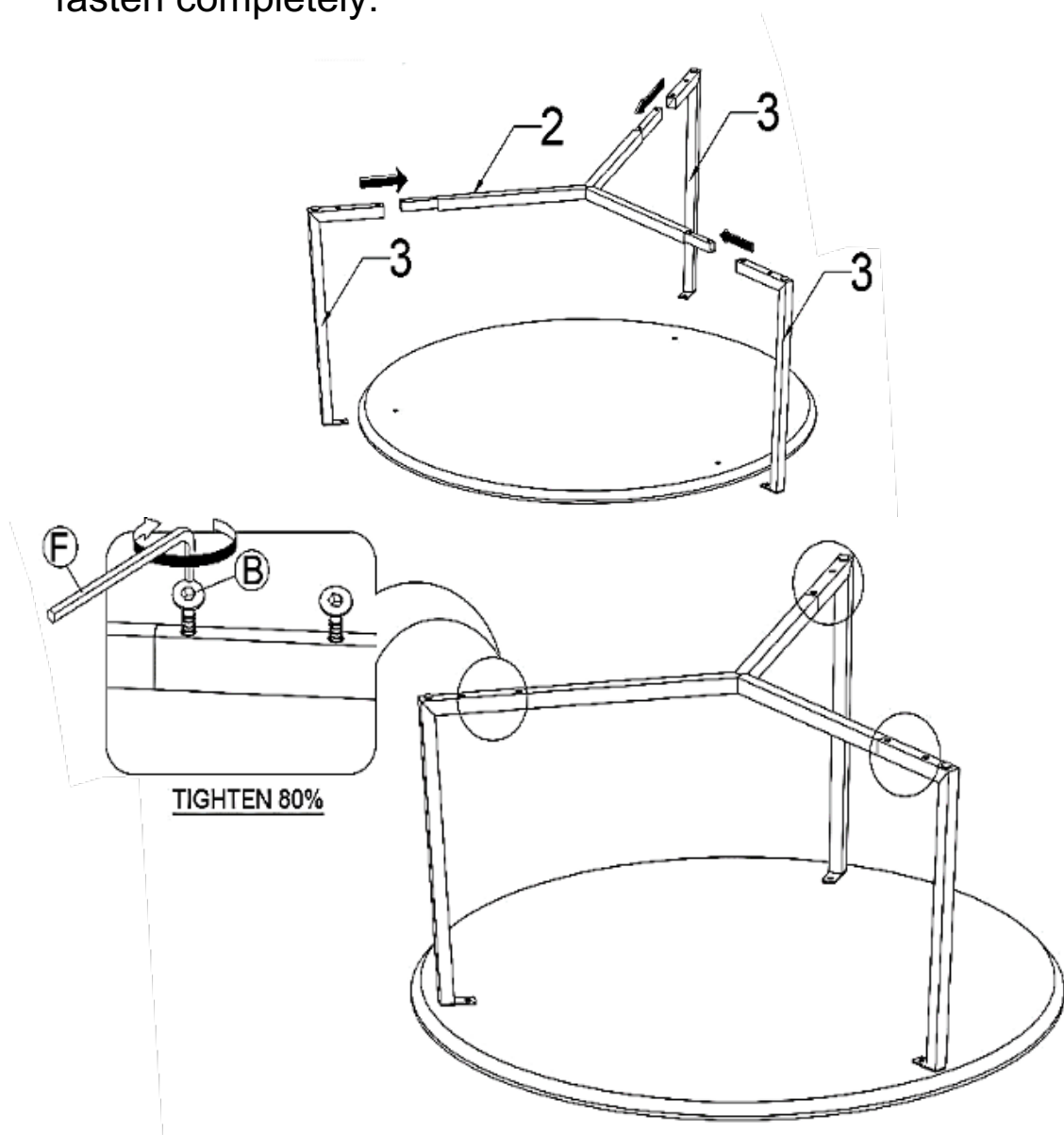
	
Allow 15 min	For 2 person

PARTS LIST		
NO.	DESCRIPTION	QTY
1	TABLE TOP 	1 PC
2	LEG SUPPORT 	1 PC
3	LEG 	3 PCS

HARDWARE LIST		
NO.	DESCRIPTION	QTY
A	JCBC M6 x 16mm 	3 PCS
B	ALLEN CAP SCREW M6 x 25mm 	6 PCS
C	FLAT WASHER 	3 PCS
D	SPRING WASHER 	3 PCS
E	NON-SLIP MAT 	3 PCS
F	ALLEN KEY 	1 PC

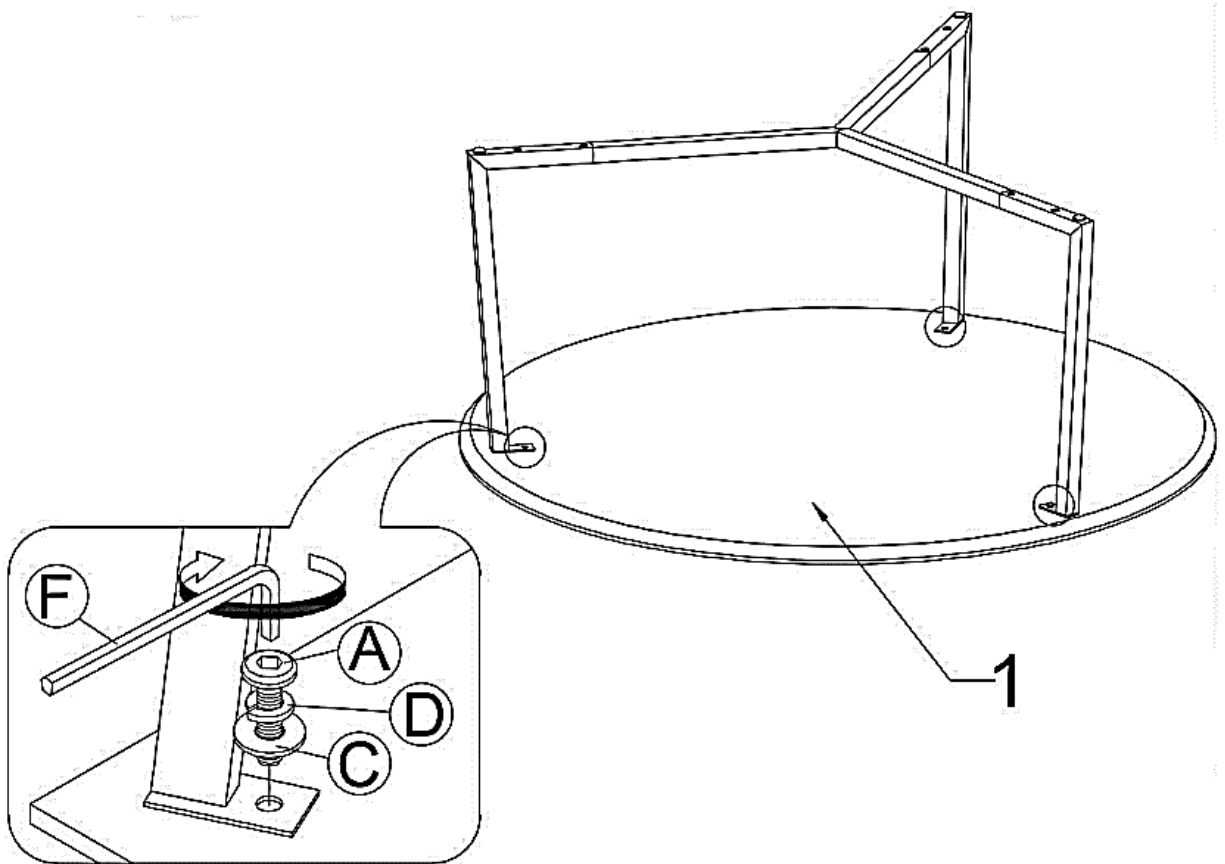
STEP 1:

- Prepare a protected surface, either with a blanket or cardboard.
- Attached the 3x legs(3) to the leg support(2) as shown below.
- Secure with 2x Bolt(B) per connection, fasten with Allen Key (F).
- Tighten only until the bolt is a little firm in the thread, do not fasten completely.



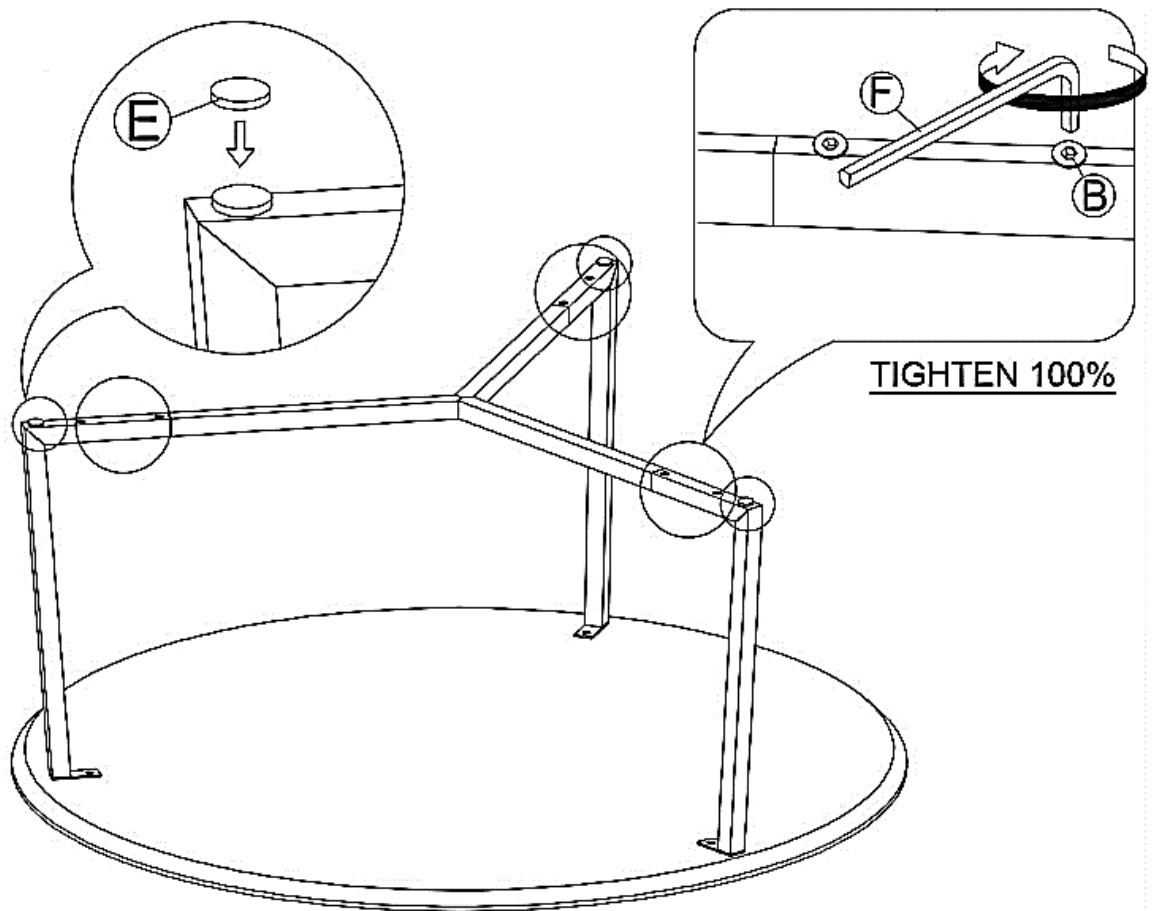
STEP 2:

- Prepare 3x bolt A sets by threading bolt(A) through spring washer(D) then washer(C)
- Attach the legs to the Table Top(1) as shown below.
- Secure with Bolt (A), Fasten with Allen Key (F).

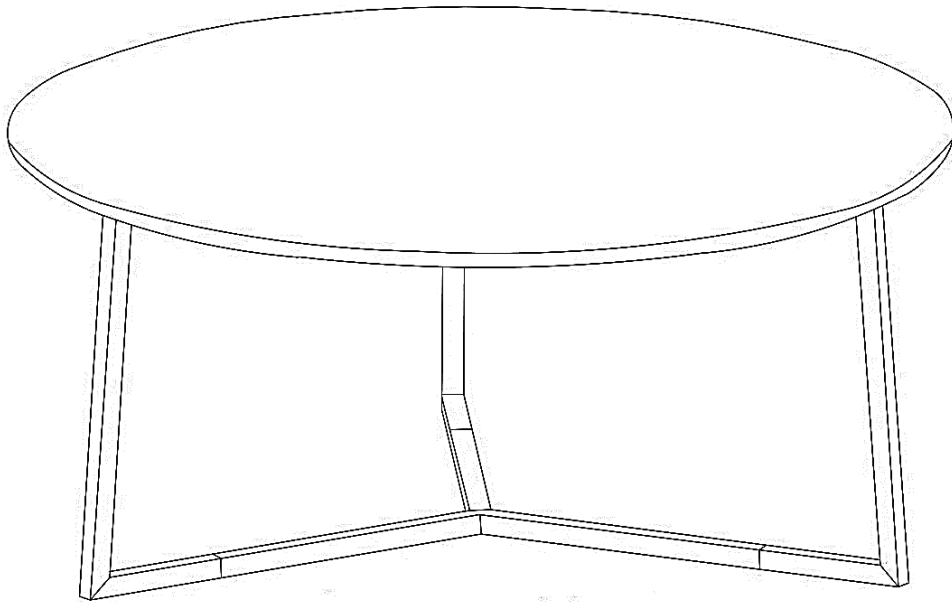


STEP 3:

- Attach the 3x Non-slip Discs (E) to the bottom of each leg.
- Stand the table the right way up on a level surface. Push down on the table until it levels out. Do not lean beyond your own balance.
- Once level, flip the table back over again (upside down). Now, fully tighten Bolt(B) with Allen Key(F).



ASSEMBLY IS COMPLETE



PRODUCT CARE:

To protect your furniture, we suggest the following:

- Avoid placing your furniture in direct sunlight.
- Do not place furniture directly under windows.
- Do not place sharp materials (knife, fork, etc.) directly onto your furniture as sharp material may scrape and damage the finish.
- Do not place material with high temperature directly onto the surface of your furniture.
- Clean up spills quickly. Water left over a prolonged period of time may cause damage. Alcohol, perfume, nail polishes, aftershave and some medication may cause severe finish damage if not cleaned immediately.
- Use a clean, soft, dry, lint free absorbent cloth to clean your furniture. Do not use any detergent as they may contain ingredients that may react and damage the finish.

NOTE: If the above care advise is not adhered to your product warranty may become void